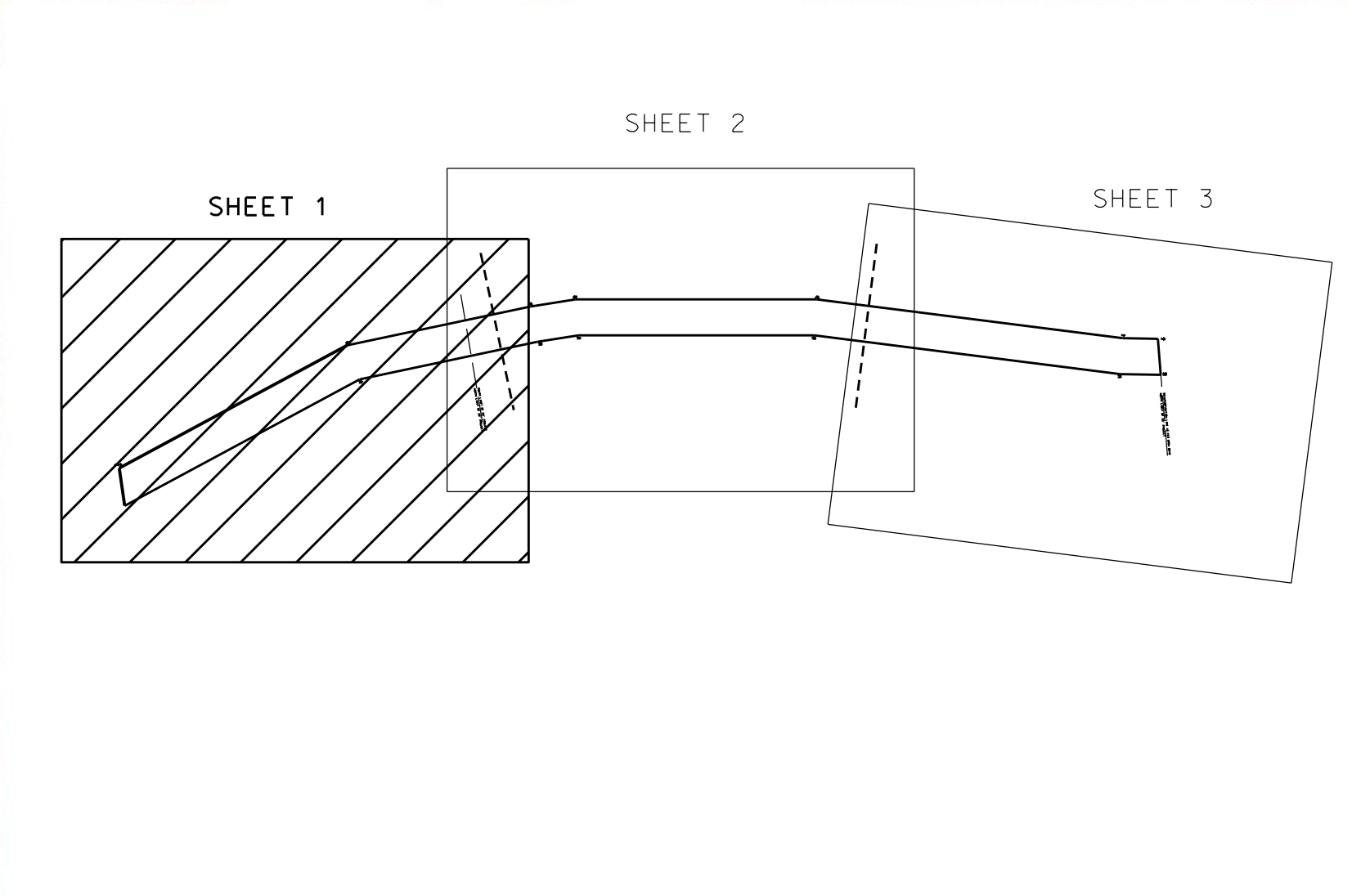
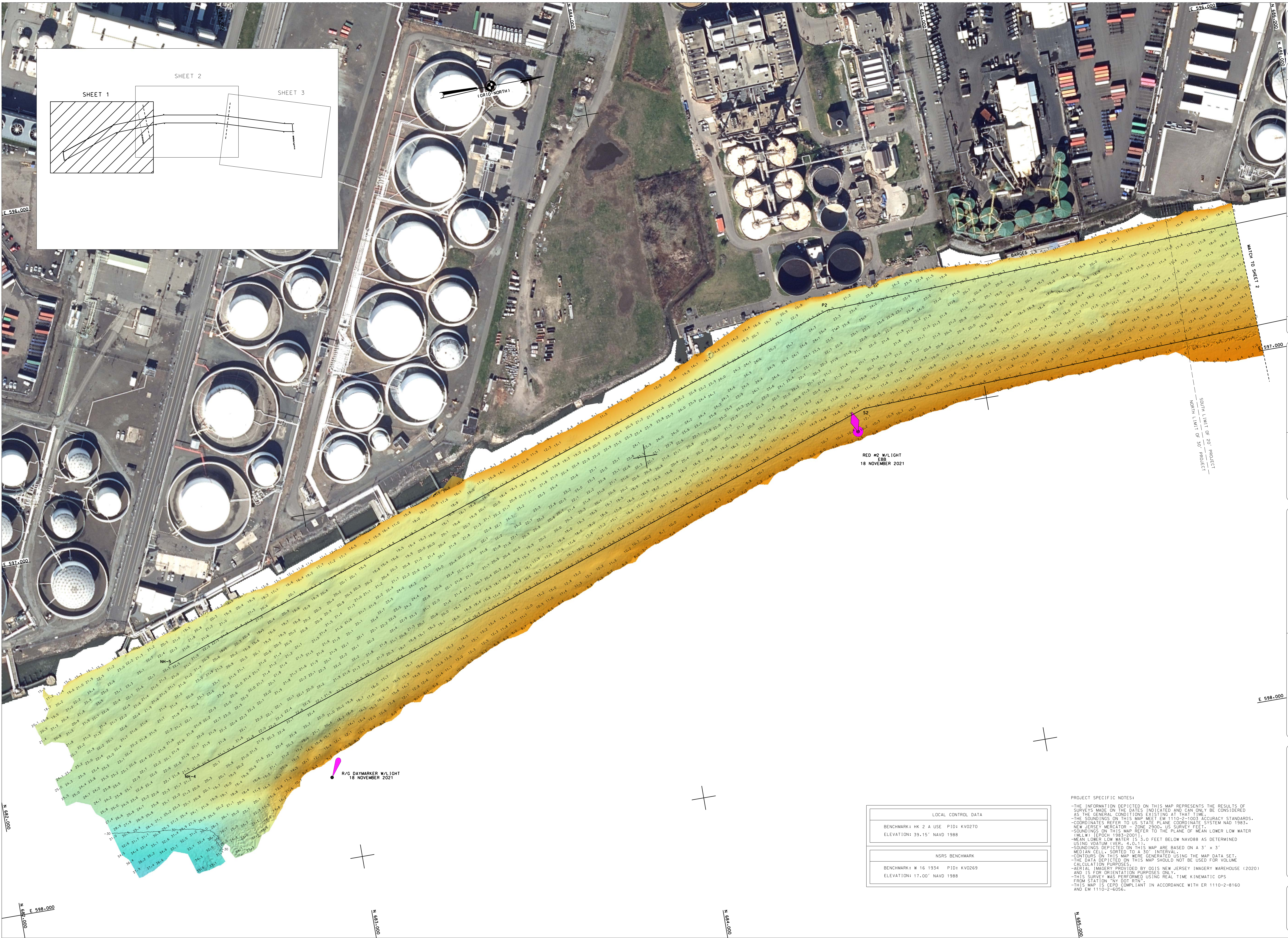


US ARMY CORPS OF ENGINEERS
NEW YORK DISTRICT



RED #2 W/LIGHT
EBB
18 NOVEMBER 2021

R/C DAYMARKER W/LIGHT
18 NOVEMBER 2021

LOCAL CONTROL DATA	
BENCHMARK: HK 2 A USE	PID: KVD270
ELEVATION: 39.15' NAVD 1988	
NSRS BENCHMARK	
BENCHMARK: W 16 1934	PID: KVD269
ELEVATION: 17.00' NAVD 1988	

PROJECT SPECIFIC NOTES:

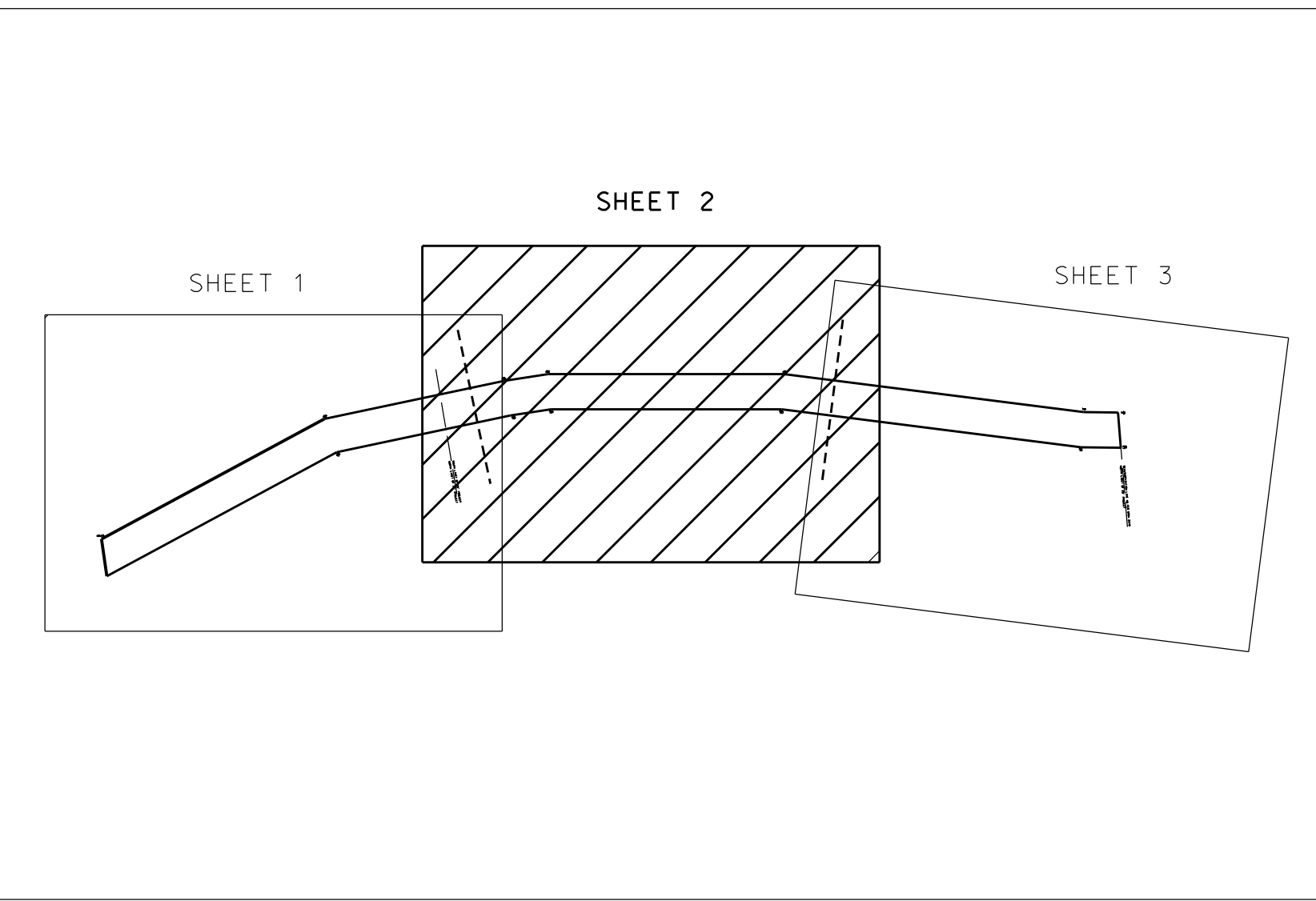
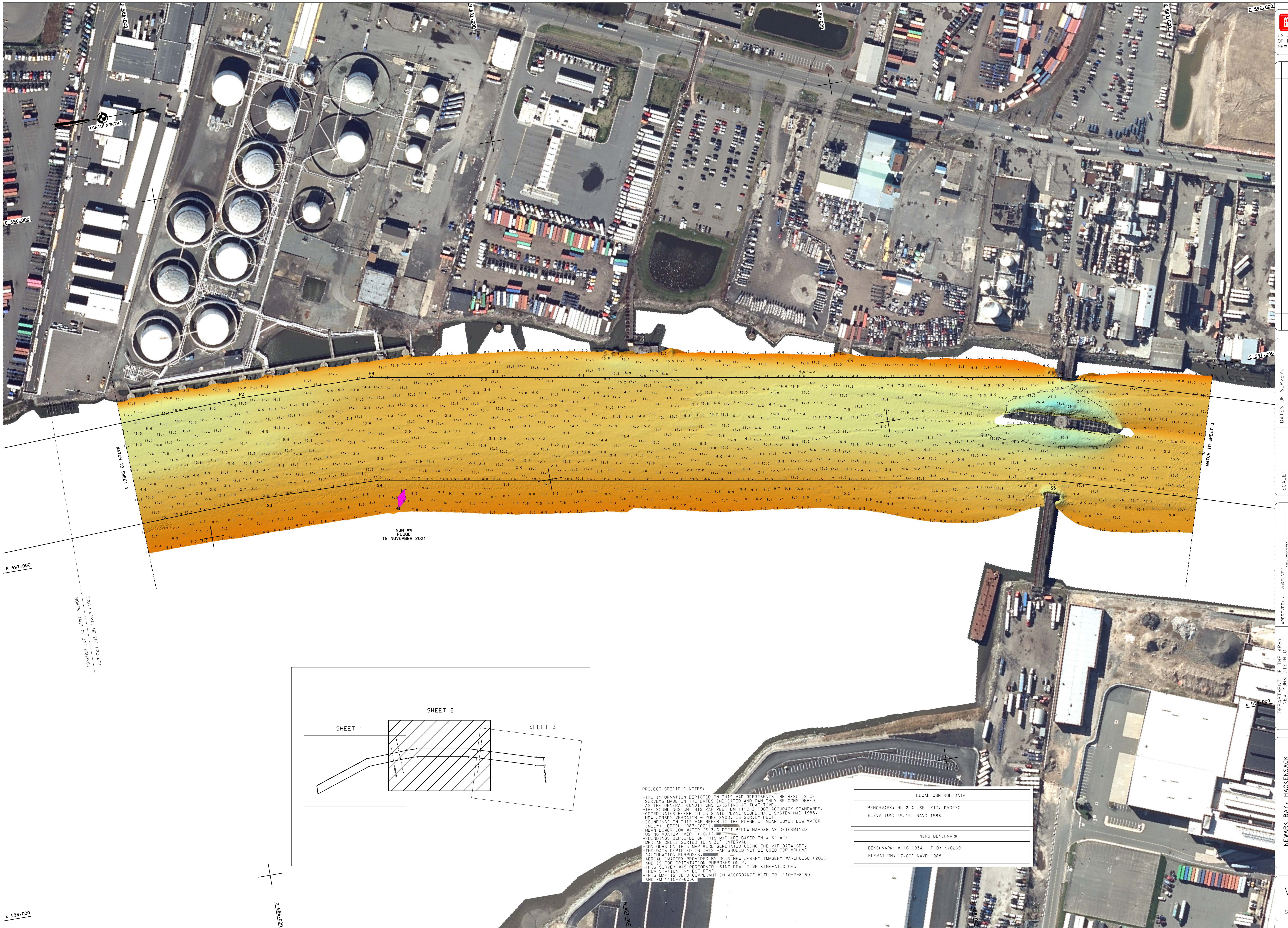
- THE INFORMATION DEPICTED ON THIS MAP REPRESENTS THE RESULTS OF SURVEYS MADE ON THE DATES INDICATED AND CAN ONLY BE CONSIDERED AS THE GENERAL CONDITIONS EXISTING AT THAT TIME.
- THE SOUNDINGS ON THIS MAP MEET EM 1110-2-1003 ACCURACY STANDARDS.
- COORDINATES REFER TO US STATE PLANE COORDINATE SYSTEM WAD 1983 - NEW JERSEY MERCATOR - ZONE 2000 - US SURVEY FEET.
- SOUNDINGS ON THIS MAP REFER TO THE PLANE OF MEAN LOWER LOW WATER (MLLW) (EPOCH 1983-2001)
- MEAN LOWER LOW WATER IS 3.0 FEET BELOW NAVD88 AS DETERMINED USING VDATUM (VER: 4.0.11).
- SOUNDINGS DEPICTED ON THIS MAP ARE BASED ON A 3' x 3' MEDIAN CELL, SORTED TO A 30" INTERVAL.
- CONTOURS ON THIS MAP WERE GENERATED USING THE MAP DATA SET.
- THE DATA DEPICTED ON THIS MAP SHOULD NOT BE USED FOR VOLUME CALCULATION PURPOSES.
- AERIAL IMAGERY PROVIDED BY OCIS NEW JERSEY IMAGERY WAREHOUSE (2020) AND IS FOR ORIENTATION PURPOSES ONLY.
- THIS SURVEY WAS PERFORMED USING REAL TIME KINEMATIC GPS FROM STATION "ND DOT RT".
- THIS MAP IS CEIP COMPLIANT IN ACCORDANCE WITH ER 1110-2-8160 AND EM 1110-2-6056.

DATE OF SURVEY: 18 NOVEMBER 2021 21-15 DECEMBER 2021	REQ. NO./FILE NO.: 15122/MS
SCALE: ONE INCH = 100 FEET	FIELD BOOKS: 1080
APPROVED: J. MCKELVEY	APPROVED: J. WRAZ
APPROVED: M. EDGIE	APPROVED: J. WRAZ
APPROVED: P. BRADSHAW	APPROVED: J. WRAZ
DATE: 16 DECEMBER 2021	

DEPARTMENT OF THE ARMY
CORPS OF ENGINEERS
NEW YORK DISTRICT
OPERATIONS DIVISION
NEW YORK OFFICE

NEWARK BAY - HACKENSACK & PASSAIC RIVERS - N.J.
PASSAIC RIVER
CONDITION SURVEY

VH-101
SHEET 1 OF 3



PROJECT SPECIFIC NOTES:

- THE INFORMATION DEPICTED ON THIS MAP REPRESENTS THE RESULTS OF SURVEYS MADE ON THE DATES INDICATED AND CAN ONLY BE CONSIDERED AS THE GENERAL CONDITIONS EXISTING AT THAT TIME.
- THE SOUNDINGS ON THIS MAP MEET EM 1110-2-1003 ACCURACY STANDARDS.
- COORDINATES REFER TO US STATE PLANE COORDINATE SYSTEM NAD 1983, NEW JERSEY MERCATOR - ZONE 2000, US SURVEY FEET.
- SOUNDINGS ON THIS MAP REFER TO THE PLANE OF MEAN LOWER LOW WATER (MLLW) (EPOCH 1983-2001) 3.0 FEET BELOW NAVD83 AS DETERMINED USING WQATM (VER. 4.0.11).
- SOUNDINGS DEPICTED ON THIS MAP ARE BASED ON A 3' x 3' MEDIAN CELL, SORTED TO A 30" INTERVAL.
- CONTOURS ON THIS MAP WERE GENERATED USING THE MAP DATA SET, AND IS FOR ORIENTATION PURPOSES ONLY.
- THE DATA DEPICTED ON THIS MAP SHOULD NOT BE USED FOR VOLUME CALCULATION PURPOSES.
- AERIAL IMAGERY PROVIDED BY DCIS NEW JERSEY IMAGERY WAREHOUSE (2020) AND IS FOR ORIENTATION PURPOSES ONLY.
- THIS SURVEY WAS PERFORMED USING REAL TIME KINEMATIC GPS FROM STATION "NUN DORN".
- THIS MAP IS CEPO COMPLIANT IN ACCORDANCE WITH EM 1110-2-8160 AND EM 1110-2-6056.

LOCAL CONTROL DATA	
BENCHMARK: HK 2 A USE	PID: KV0270
ELEVATION: 39.15' NAVD 1988	
NSRS BENCHMARK	
BENCHMARK: W 16 1934	PID: KV0269
ELEVATION: 17.00' NAVD 1988	

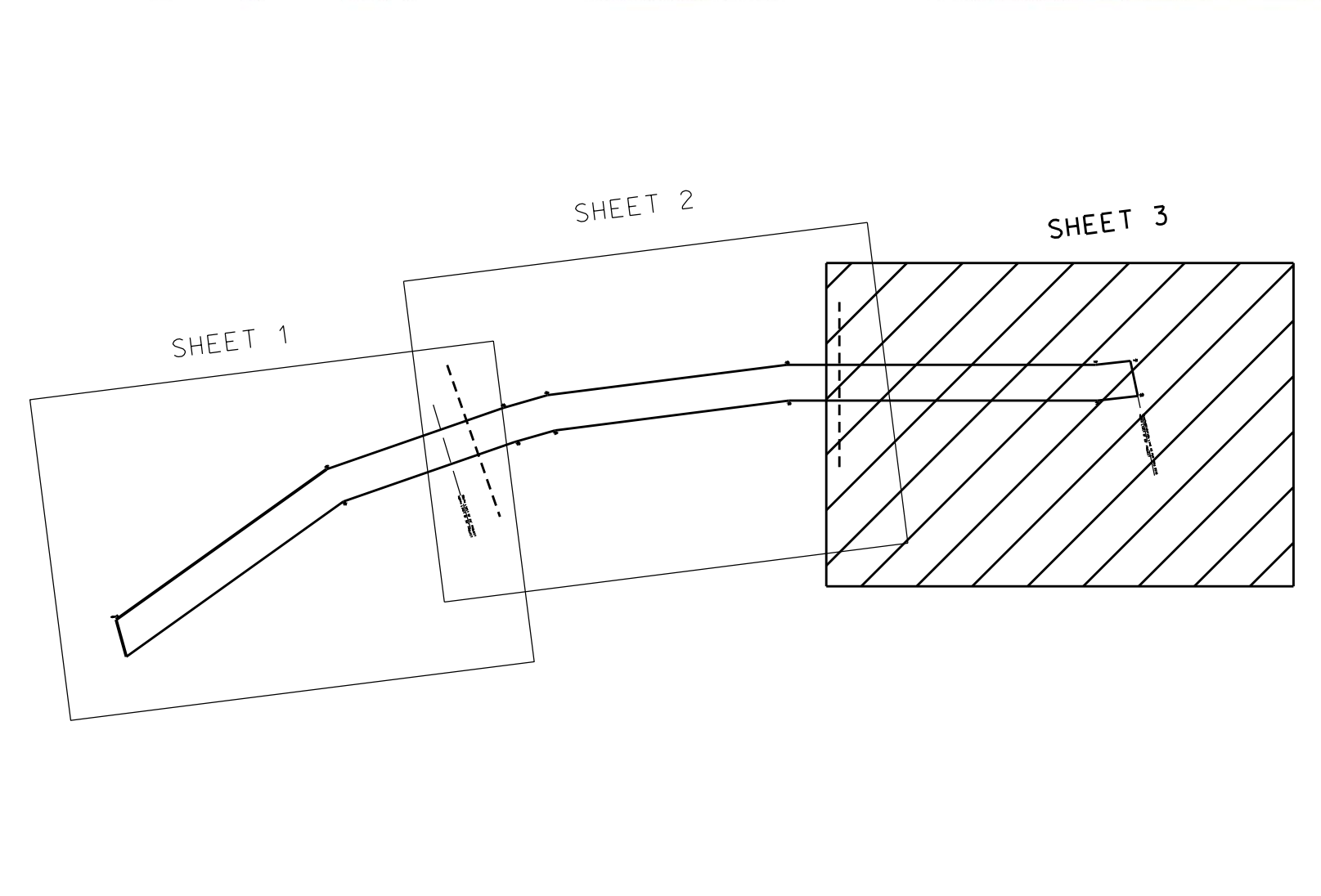
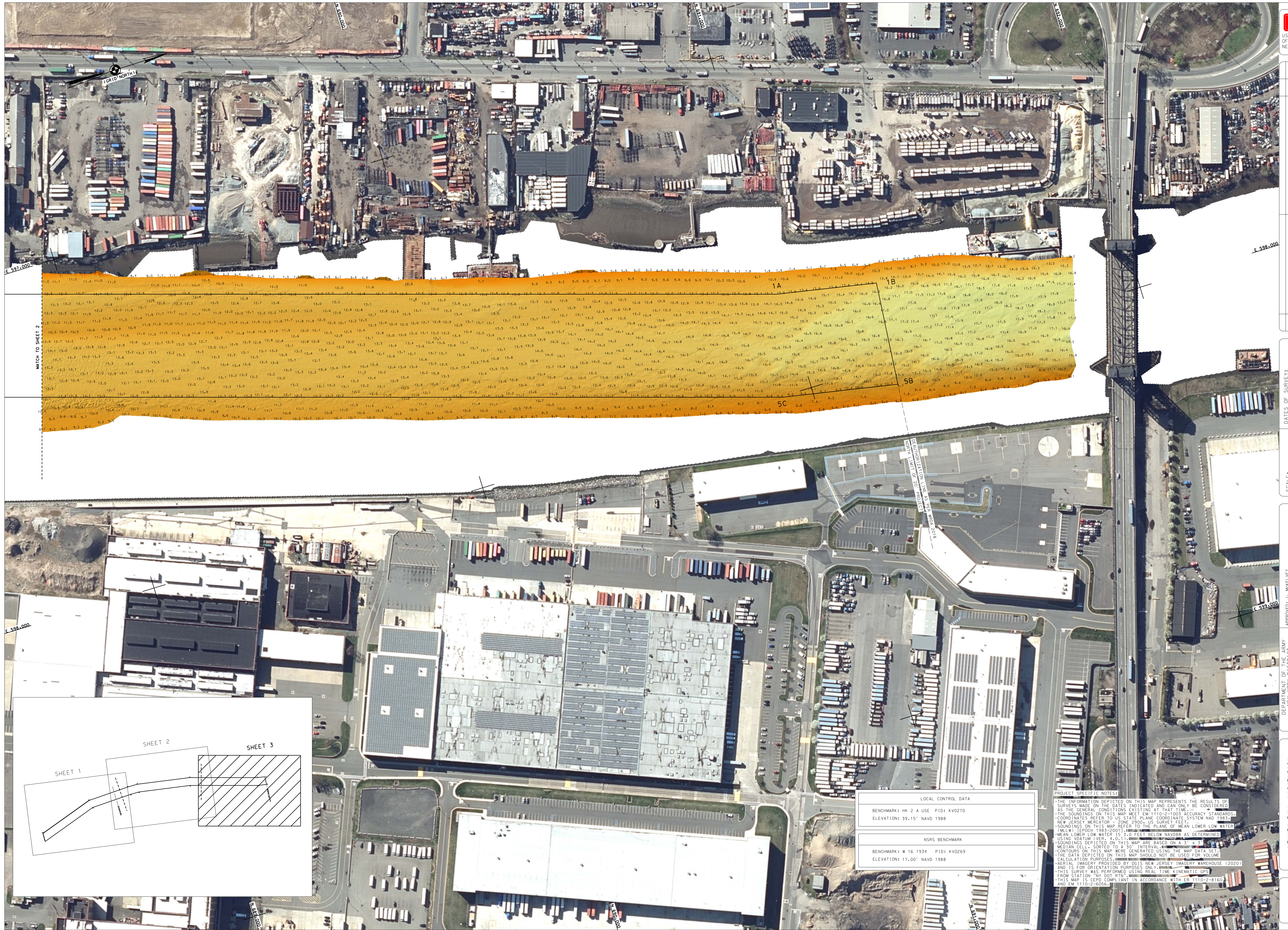
DATE OF SURVEY:	18 NOVEMBER 2021
DATE OF SURVEY:	9 DECEMBER 2021
SCALE:	ONE INCH = 100 FEET
FIELD BOOKS:	1080
REQ. NO./FILE NO.:	15122/NS
DATE:	16 DECEMBER 2021

APPROVED:	J. MCKEVEY
APPROVED:	M. EDGIE
APPROVED:	P. BERGQUIST
APPROVED:	J. WRAZ

DEPARTMENT OF THE ARMY
 CORPS OF ENGINEERS
 NEW YORK, NEW YORK 10278

OPERATIONS DIVISION
 SOUTH ATLANTIC DISTRICT
 CENRAN-OPS

NEWARK BAY, HACKENSACK & PASSAIC RIVERS, N.J.
 PASSAIC RIVER
 CONDITION SURVEY



LOCAL CONTROL DATA	
BENCHMARK: HK 2 A	UAV PID: KVO270
ELEVATION: 39.15'	NAVD 1988
NSRS BENCHMARK	
BENCHMARK: W 16 1934	PID: KVO269
ELEVATION: 17.00'	NAVD 1988

PROJECT SPECIFIC NOTES

THE INFORMATION DEPICTED ON THIS MAP REPRESENTS THE RESULTS OF SURVEYS MADE ON THE DATES INDICATED AND CAN ONLY BE CONSIDERED AS THE GENERAL CONDITIONS EXISTING AT THAT TIME.

THE SOUNDINGS ON THIS MAP MEET EM 1110-2-1003 ACCURACY STANDARDS. COORDINATES REFER TO US STATIC PLANE COORDINATE SYSTEM NAD 83, NEW JERSEY MERCATOR - ZONE 18QD, US SURVEY FEET.

SOUNDINGS ON THIS MAP REFER TO THE PLANE OF MEAN LOWER LOW WATER (MLLW) (EPOCH 1985-2001).

MEAN LOWER LOW WATER IS 3.0 FEET BELOW NAVD88 AS DETERMINED USING VOTAM LEVELS 4-2-1.

SOUNDINGS DEPICTED ON THIS MAP ARE BASED ON A 3" X 3" MEAN CELL, SORTED TO A 30' INTERVAL.

CONTOURS ON THIS MAP WERE GENERATED USING THE MAP DATA SET. THE DATA DEPICTED ON THIS MAP SHOULD NOT BE USED FOR VOLUME CALCULATION PURPOSES.

AERIAL IMAGERY PROVIDED BY DCIS NEW JERSEY IMAGERY WAREHOUSE (2020) AND IS FOR ORIENTATION PURPOSES ONLY.

THIS SURVEY WAS PERFORMED USING REAL TIME KINEMATIC GPS FROM STATION "NY DOT 01N".

THIS MAP IS CSDO COMPLIANT IN ACCORDANCE WITH ER 1110-2-8160 AND EM 1110-2-6056.

DATE OF SURVEY:	18 NOVEMBER 2021
SCALE:	ONE INCH = 100 FEET
FIELD BOOKS:	1080
DATE:	18 DECEMBER 2021
REQ. NO./FILE NO.:	18122/NS
DESIGNER:	JUCM
CHECKER:	CR

DEPARTMENT OF THE ARMY
CORPS OF ENGINEERS
NEW YORK, NEW YORK 10278

OPERATIONS DIVISION
SOUTH ATLANTIC DISTRICT
CENAN-COPS

APPROVED: J. WACKELAY
APPROVED: M. EDGIE
APPROVED: P. BURDORF
APPROVED: J. WRAZ

NEWARK BAY, HACKENSACK & PASSAIC RIVERS, N.J.

PASSAIC RIVER

CONDITION SURVEY

VH-103

SHEET 3 OF 3